

The image shows the Ergolet Mobile Flex 2-post system, a white, adjustable lifting frame. It consists of two vertical posts on a wheeled base, connected by a horizontal crossbar. The posts are height-adjustable via gas springs. The system is designed for temporary lifting solutions in home care, institutional, and hospital settings. The Ergolet logo is visible on the top horizontal bar.

Mobile Flex

2-post system

Height & width adjustable 2-post system

Primary application

Home care
Institutional
Hospital

Suitable for people who need an immediate and/or temporary lifting solution that can be easily and simply fitted, used and removed. The Mobile Flex is easy to assemble. No tools are required to adjust the height and width to provide reliable temporary solutions.

Adjusting the height via gas spring is carried out in just a few seconds providing immediate use for the carer and client. The telescopic tracks give enough lifting height to provide solutions that are suitable for most care rooms and most transfer situations.

The Mobile Flex is when combined with Ergolet's innovative Luna ceiling lift, is a simple and functional lifting system and the ideal choice for either home care or institutional use.

The Mobile Flex provides a lifting capacity up to 275kg thus utilizing the full range of the Luna ceiling lift.

Key standard functions

- Weight capacity of 275kg
- Two models: Mobile Flex 3000 & 4000
- Telescopic width adjustability
- Instant height adjustment assisted by gas spring
- Mounted on wheeled base
- Easy assembly and adjustments
- Utilizes full functionality of the Luna ceiling lift
- Only 1150 mm in depth
- Bayonet cart as standard

Accessories

Bayonet to strap fitting





Easy to adjust width without using tools



Two sets of wheels with brakes. Simply step on the pedal to activate the brake.



Luna ceiling lift mounted on the Mobile Flex



instant height adjustment (gas spring mechanism). A simple user guide is placed above the handle.

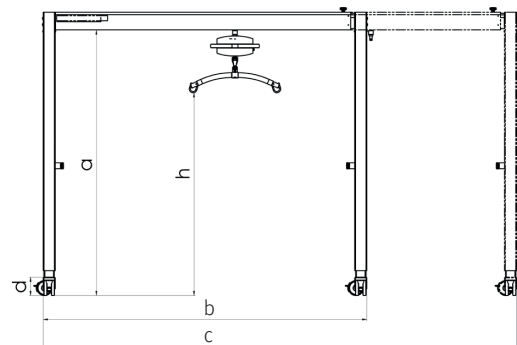
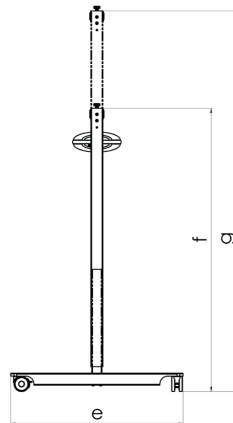
PRODUCT HIGHLIGHTS

- Practical design and simple functionality
- Full width adjustability to maximise room coverage
- Easy assembly
- Quick height and width adjustment
- Easy to clean

Version	Item-number
Mobile Flex / 3000	016-01147
Mobile Flex / 4000	016-01148
Accessories	
Bayonet to strap fitting	-

TECHNICAL SPECIFICATION

	Mobile Flex / 3000	Mobile Flex / 4000
Max. load	275 kg	275 kg
a	1775 mm	1775 mm
b	2160 mm	3160 mm
c	3160 mm	4160 mm
d	120 mm	120 mm
e	1150 mm	1150 mm
f	1890 mm	1890 mm
g	2540 mm	2540 mm
h	1770-2420 mm	1770-2420 mm



Consult the Technical manual for further specifications. All figures and measurements are for guidance only and may differ in actual situations. Ergolet reserves the right to changes without notice.

Product photos may include accessories. Consult your dealer.



date 07.01.2014 - ver. 5

WinnCare Nordic ApS
 Taarnborgvej 12C
 4220 Korsøer
 Denmark
 tel. +45 70 27 37 20
 e-mail: info@winnCare.dk

www.winnCare.dk

WINNCARE
 N o r d i c